

# EBD260

420TVL, 1/3" Sony CCD, Indoor, IR Mini Color Dome Camera

**NEW**



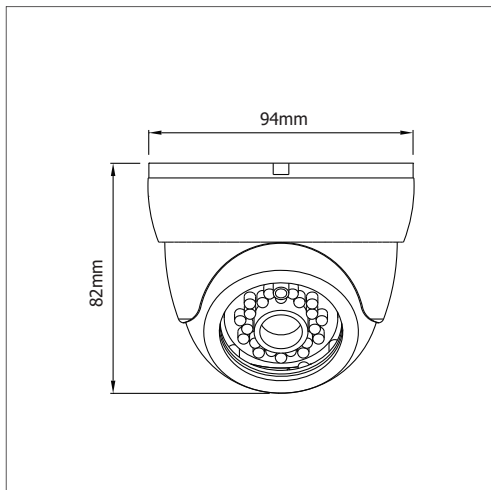
## Features

- IR Dome color camera with SONY 1/3" Super HAD CCD sensor
- Employs Digital Signal Processor (DSP) chip-set for image control
- Pixel number: NTSC=270K/PAL=320K
- High sensitivity, low smear, high anti-blooming and high S/N ratio
- Build-in functions: Auto Electronic Shutter (AES), Auto Gain Control (AGC), Auto White Balance (AWB)
- Built-in anti-aliasing and IR-pass (850nm) optical filter
- Built-in IR-LED X 12

## Specifications

Image Pick-up De	1/3" Sony Super HAD Color CCD
Effective Picture Elements	NTSC: 510 x 492 ; PAL: 500 x 582
Horizontal Resolution	420TVL
Minimum Illumination	0 LUX with built-in IR-LED
S/N Ratio	More than 48 dB
Auto Electronic Shutter	NTSC: 1/60s~1/100,000s ; PAL:1/50s~1/110,000s
Gain Control	Automatically
White Balance	Automatically (2500K~9500K)
Gamma Characteristic	0.45
Lens Furnished	Board Lens 3.6 mm/F2.0 (optional: 4.3 mm, 6mm)
Synchronous System	Internal, Negative sync.
Video Output	1 Vp-p Composite Video/75 Ohms.
Power Supply	12VDC/250 mA
Operating Temp.	-10°C~50°C (140°F~122°F)
IR LED	12 Units of 850nm IR LED
IR Distance	10~15m
Dimensions (Φ x L)	94mm x 82 mm

## Dimensions



\* Models vary in different countries. Please visit EverFocus regional websites for detailed ordering information  
 \* Lens models and availability vary in different regions

\* All product specifications are subject to change without notice